

K-Nr.: 25696
 K-no.:

Trigger transformer

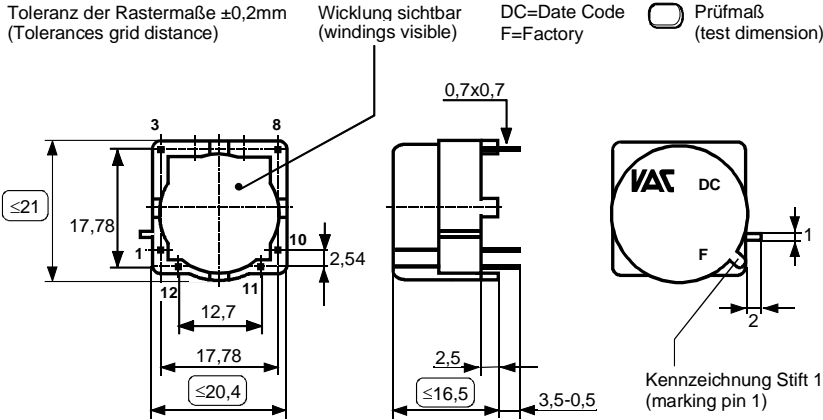
 Datum: 28.01.2013
 Date:

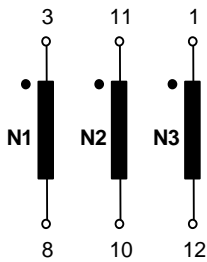
 Kunde:
 Customer

 Kd. Sach Nr.:
 Customers part no.:

 Seite 1 von 2
 Page of

 Maßbild (mm): Freimaßtoleranz DIN ISO 2768-c
 Mechanical outline General tolerances

 Anschlüsse:
 Connections:

 Beschriftung:
 marking

 Anschlussschema:
 Schematic diagram

 $\ddot{u} = 1 : 1 : 1$

 Betriebsdaten/Charakteristische Daten (Richtwerte):
 Operational data/characteristic data (nominal values):

 $U_E = 15\text{ V (N1)}$ $U_2 = 15\text{ V,}$ $U_3 = 15\text{ V}$
 $\int U_{dt} \geq 440\ \mu\text{Vs (unipolar)}$ $\tau \leq 50\%$ $P_{\ddot{u}} = 7,5\text{ W}$ $f = 20\text{ kHz}$

 Inductance $L_1 = 7,2\text{ mH}$ ($f = 10\text{ kHz}$)
 Leakage inductance $L_{S1} = 0,65\ \mu\text{H}$ (N_2 short circuited, $f=100\text{ kHz}$)
 $L_{S1} = 0,65\ \mu\text{H}$ (N_3 short circuited, $f=100\text{ kHz}$)

 Coupling capacitance $C_{K1-2} = 22,3\text{ pF}$ ($f=1\text{ kHz, } U_{AC,rms} = 100\text{ mV}$)
 $C_{K1-3} = 22,3\text{ pF}$ ($f=1\text{ kHz, } U_{AC,rms} = 100\text{ mV}$)

 Insulation voltage N vs N: Reinforced: $U_{is,DC} = 1.2\text{ kV}$

 Umgebungstemperatur/ambient temperature: $-40^\circ\text{C} \dots +85^\circ\text{C}$
 Lagertemperatur/storage temperature: $-40^\circ\text{C} \dots +85^\circ\text{C}$

Prüfung Inspection:

(V: 100%-Test; AQL...: DIN ISO 2859-Teil1; SC = significant characteristic)

- | | | | | | |
|----|------------|---------|---|---|--|
| 1) | (V) | M3014: | $U_{p,eff} = 6,2\text{ kV}$ | 2 s | N vs N |
| 2) | (AQL 1/S4) | M3011/4 | settings (N1):
test value: | $U_E = 22,68\text{ V}$
$I_p \leq 0.131\text{ A}$ | $t_d = 20\ \mu\text{s}$ $f_p = 1000\text{ Hz}$ |
| 3) | (V) | M3011/6 | polarity / turns ratio | tolerance $\pm 2\%$ | (SC) |
| 4) | (AQL 1/S4) | M3011/5 | $R_{Cu1} = 460\text{ m}\Omega \pm 15\%$ | $R_{Cu2} = 460\text{ m}\Omega \pm 15\%$ | $R_{Cu3} = 460\text{ m}\Omega \pm 15\%$ |
| 5) | (Fix 05) | M3290 | Solderability test acc. to chapter 1 | | |
| 6) | (AQL 1/S4) | M3200 | Mechanical test | | |

Siehe Seite 2 / see page 2

Weitere Vorschriften:

Applicable documents:

Datum	Name	Index	Änderung
28.01.13	Leh.	81	Typo, $\int U_{dt} \leq 440\ \mu\text{Vs (unipolar)}$ changed to $\int U_{dt} \geq 440\ \mu\text{Vs (unipolar)}$. Lapidary change

 Hrsg.: KB-E
 editor

 Bearb: Sc
 designer

 KB-PM: Leh.
 check

 freig.: HS
 released

K-Nr.: 25696 K-no.:	Trigger transformer	Datum: 28.01.2013 Date:
Kunde: Customer	Kd. Sach Nr.: Customers part no.:	Seite 2 von 2 Page of

Type test

- 1) HV transient test according to M3064
 Settings N vs N
 Waveform 1,2 μ s / 50 μ s
 $U_{p,max} = 9,8$ kV
 3 pulses for each polarity in a cycle of $t \geq 1$ second with changing polarity

- 2) Dielectric withstand voltage test according to M3014
 $U_{p,eff} = 6,2$ kV, 15 s, N vs N

Messungen nach Temperaturangleich der Prüflinge an Raumtemperatur
 Measurements after temperature balance of the test samples at room temperature

Hrsg.: KB-E editor	Bearb: Sc designer	KB-PM: Leh. check	freig.: HS released
-----------------------	-----------------------	----------------------	------------------------